



VALUE PLASTICS, INC.

A NORDSON COMPANY

BioProcess Fittings



SERVICE QUALITY DELIVERY PROVEN PRECISION INNOVATION TRUSTED LEADERSHIP DIRECT SALES CUSTOM PARTS
QUICK CONNECT FITTINGS SANITARY FITTINGS LUERS TUBE-TO-TUBE BLOOD PRESSURE THREADED TAPERED SEAL

QUALITY DELIVERY PROVEN PRECISION INNOVATION TRUSTED LEADERSHIP DIRECT SALES CUSTOM PARTS SERVICE
SPECIALIZED BUILD-A-PART QUICK CONNECT FITTINGS SANITARY FITTINGS LUERS TUBE-TO-TUBE FITTINGS

TRUSTED LEADERSHIP DIRECT SALES CUSTOM PARTS
BLOOD PRESSURE THREADED

**SPECIALISTS
IN FLUID
CONNECTIONS**

PHARMALOK™

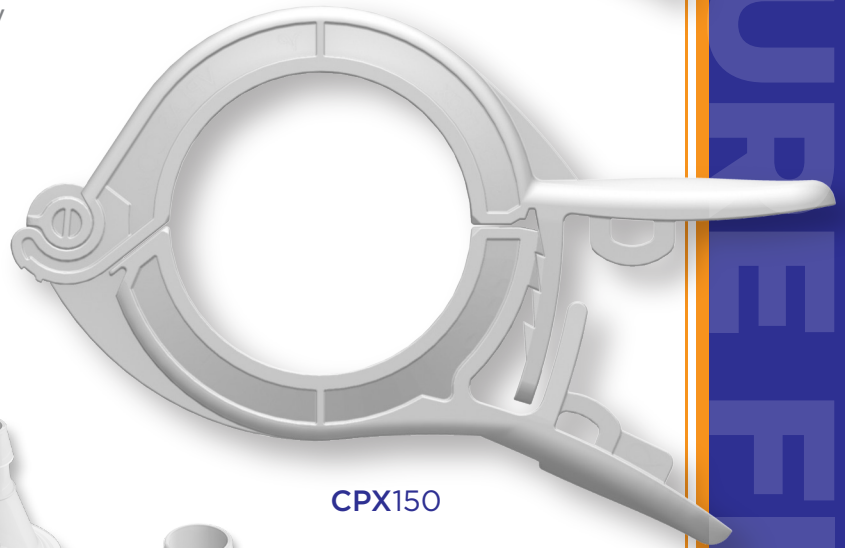
Series

The biopharmaceutical industry has made a strong move towards single-use technology so Value Plastics has developed a ground-breaking design that simplifies the assembly process by making it effortless to securely attach sanitary fittings to bag ports and filters.

Value Plastics' new sanitary fitting clamp was created with the end user in mind. Easily closed with one hand, the clamp's unique and innovative design is one-of-a-kind!



CPN75



CPX150



SFMN655



SFMN680



SFMX670



SFMX680



SFMX6110

SF

Series

SF Series sanitary fittings from Value Plastics are designed for use in single-use container fluid transport systems, manifolds and wherever sensitive fluids must be transferred. The flanged fittings, which are offered in sizes of 1-1/2" ("Maxi"), and the popular 3/4" ("Mini"), commonly used with small tubing sizes, both work with flanges made to the ISO 2852 and ASME-BPE specifications*. SF Series sanitary fittings incorporate 600 Series barbs for easy use with silicone, C-Flex® or Tygon® tubing.

*For details pertaining to the specifications please go to http://www.valueplastics.com/products/bioprocessing_fittings.aspx

C-Flex® and Tygon® are registered trademarks of Saint-Gobain Performance Plastics Corporation

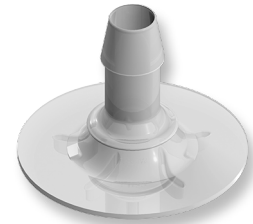
BAG PORTS

Value Plastics introduces an innovative, high tech series of bag ports. Composed of Value Pharma™ resin and a unique design, this product line brings a new level of quality to the biopharmaceutical industry. Parabolic lead and the alignment ribs reduce the amount of time it takes to drain a bag by 24 percent and improve flow dynamics through the port. ASME and BPE ferrule specifications, allow them to work with leading industry fittings, filters and other devices.

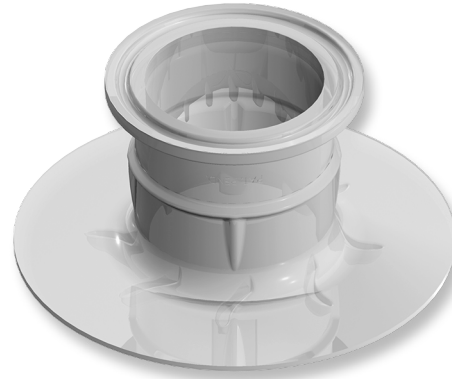
*ASME BPE-2009 Table DT-5-2 Hygienic Clamp Ferrule Standard Dimensions



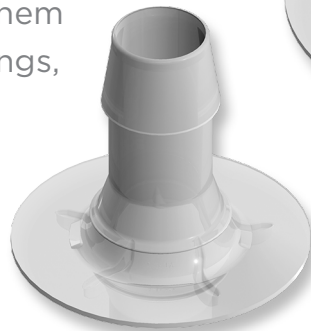
SFBP630



SFBP670



SFBPF1



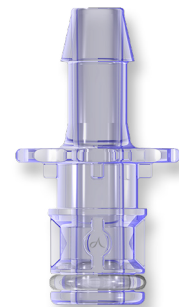
SFBP6100

RQC Series

With the RQC Series quick connects, the biopharmaceutical market now has a more robust alternative for its bioprocessing needs, offering a cost-effective solution for flexible tubing connections in single-use systems. The connector set features a more user-friendly interface that includes an optional, integral and easy to use locking feature, as well as a single barb open flow design to provide security and mitigate flow path obstruction. Available in widely used polypropylene and polycarbonate materials, these connectors are compatible with industry standard quick connects to simplify qualification.*



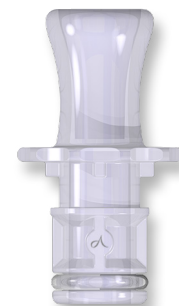
RQCF670



RQCM655



RQCFC



RQCMP

*Testing information available upon request on the interoperability of the RQC Series with other connectors.

SINGLE-USE

BIOCLAMP

BioClamp® plastic quick-release clamps are specifically designed to meet the needs of busy pharmaceutical and bioprocessing laboratories, offering full flexibility in single-use applications. The clamps are specifically designed to work with Value Plastics' SF Series sanitary fitting Mini and Maxi flanges, related caps and gaskets, and in conjunction with OEM filters and bioprocessing bags. The clamp is lightweight and easy for technicians to install and provides for quick and convenient assembly release.



VNG150WHT



VNG075WHT



VNG200WHT

BIOVALVE

The BioValve® pinch valve is a precision restriction flow controller and shut-off valve for silicone tubing used in bioprocessing and pharmaceutical manufacturing applications. BioValve products offer full flexibility in single-use applications. It can be installed over most common silicone tubing.



VBV1000NW

INNOVATIVE DESIGNS

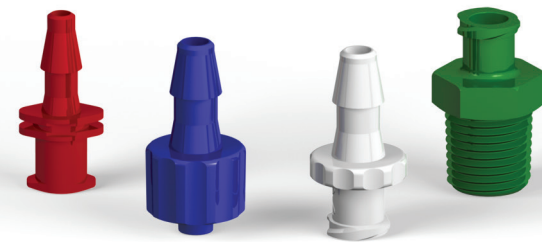
GASKETS

Material options include Class VI compliant PTFE/EPDM and Platinum-Cured Silicone in gasket sizes that fit both the 1-½" (Maxi) and the ¾" (Mini) Flange Series. Keeping customer requirements in mind, these components were manufactured for applications requiring the highest sanitary standards and chemical purity.



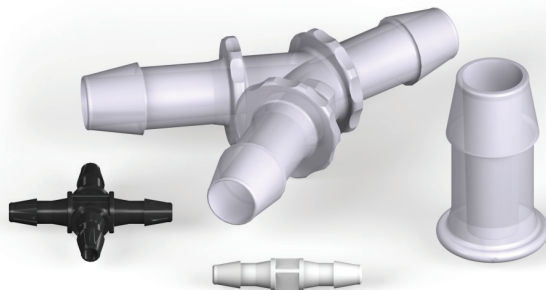
LUERS

Over 680 separate luer configurations are offered in a variety of material options, including both animal-free polypropylene and PDVF. Male luers and female luers are available with tubing connections that fit many tubing materials ranging from ¼" (1.6 mm) to ¼" (6.4 mm) IDs, with threaded ends and panel mount versions also available.



TUBE-TO-TUBE

Barbed tube fittings are available in sizes ranging from ¼" (1.6 mm) to 1" (25.4 mm) ID in over 100 configurations molded from nylon, polypropylene, polycarbonate and PVDF, with other resins available. Available barbed fitting styles include press-in plugs, straight connectors, elbow fittings, tee fittings, crosses, Y connectors, multi-port connectors, and multiple reducer combinations.





VALUE PLASTICS, INC.

A NORDSON COMPANY

United States of America

3325 South Timberline Road
Fort Collins, CO 80525
U.S.A.

Phone: +1 (970) 267.5200
Toll Free: +1 (888) 404.5837

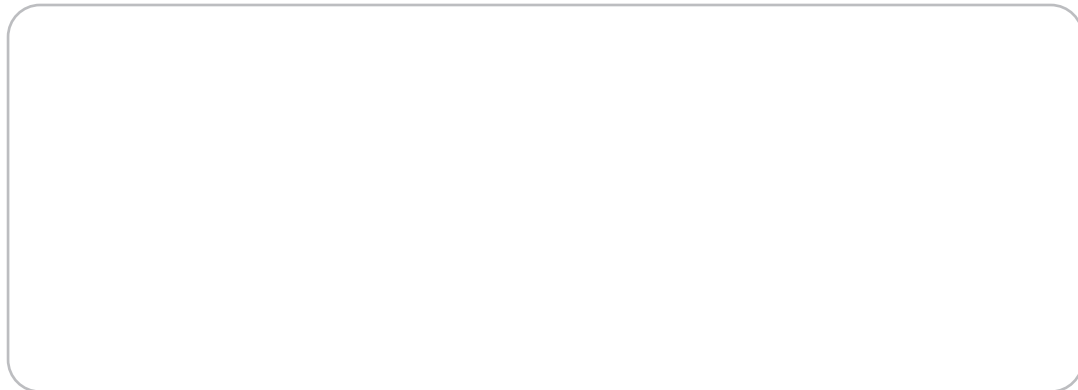
sales@valueplastics.com
www.valueplastics.com

Asia Pacific

P. O. Box No. 95982
Tsim Sha Tsui Post Office
Hong Kong

Phone: +011 (852) 6808.9862
Fax: +011 (852) 2470.9802

cnsales@valueplastics.com
www.valueplastics.cn



MAR-BIOP-BR-01
MAR-BIOP-BR-01/GP0813

SERVICE QUALITY DELIVERY PROVEN PRECISION INNOVATION TRUSTED LEADERSHIP DIRECT SALES CUSTOM PARTS
CONNECT FITTINGS SANITARY FITTINGS LUERS TUBE-TO-TUBE BLOOD PRESSURE THREADED TAPERED SEAL
QUALITY DELIVERY PROVEN PRECISION INNOVATION TRUSTED LEADERSHIP DIRECT SALES CUSTOM PARTS SERVICE
BUILD-A-PART QUICK CONNECT FITTINGS SANITARY FITTINGS LUERS TUBE-TO-TUBE FITTINGS
TRUSTED LEADERSHIP DIRECT SALES CUSTOM PARTS
BLOOD PRESSURE THREADED

SPECIALISTS IN FLUID CONNECTIONS